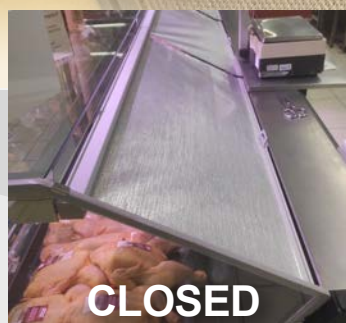
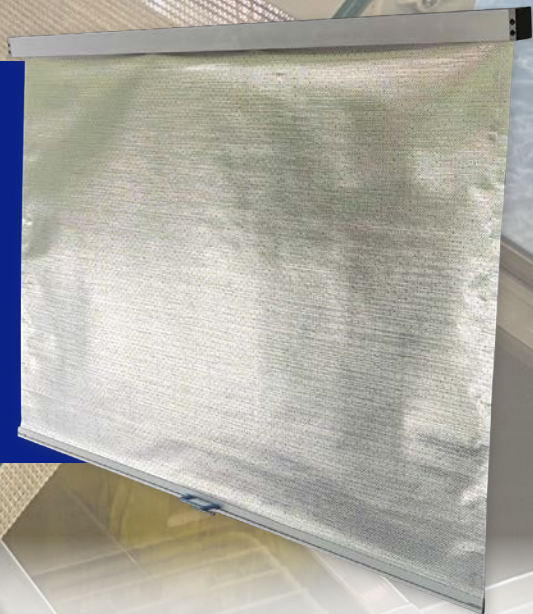


ECONO FROST

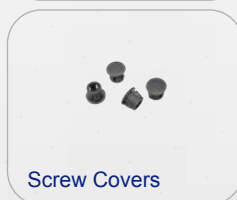
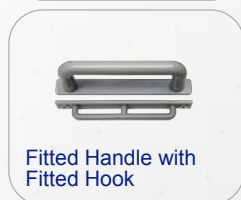
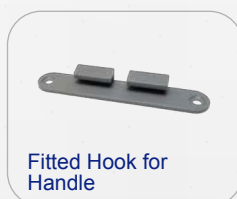
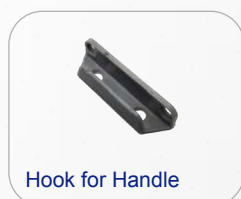
Service Case Cassette Night Cover



Introducing the innovative new retractable refrigeration night cover by Econofrost, the 3000 Series Retrofit Cassette. This design was developed based on customer requests to enhance refrigerated service cases and displays of any length and widths up to 30" (800 mm) for energy-saving purposes and to safeguard fresh foods from warm air, radiation, dust, and insects during closed or slow hours.

The compact cassette is easy to install and boasts the unique feature of being removable when needed. With all the quality features of Econofrost night covers, it ensures product integrity, lowers utility bills, and improves energy efficiency. Available in standard and custom sizes.

Included



Specifications *European*

Model Type: Retrofit Cassette

Fabric Type: Woven Aluminum; Perforated; Silver/Silver Foil Sealed with Polyethylene Reinforced Fibre Edges

Anti-Bacterial: Engineered Solution Fabric Length: 30" (80cm)

Handle: Rigid Fitted handle with integrated fitted hook for securing with fitted hook-for-handle part

Sizes: 1250mm width and 937.5mm width

Housing: Recyclable Extruded Aluminum Cassette Cover

Mounting System: Removable Mounting Clip or Acrylic PVC End-Caps (with cap covers)

Braking System: Counter-Torsion Spring/Brake Mechanism

Retension: Factory Preset Tension - Easy Adjustment -

Bottom Rail Profile: Recyclable Extruded Aluminum (25mm)

Optional: Hook (for handle) in lieu of magnets

EEE2308 ServiceCase

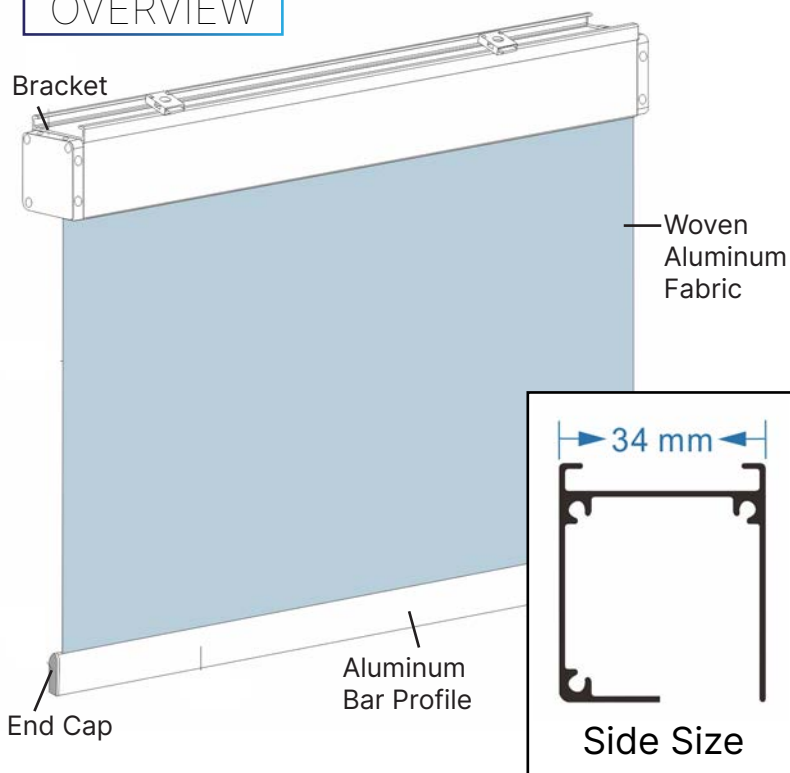
ECONO FROST

REFRIGERATION NIGHT COVERS

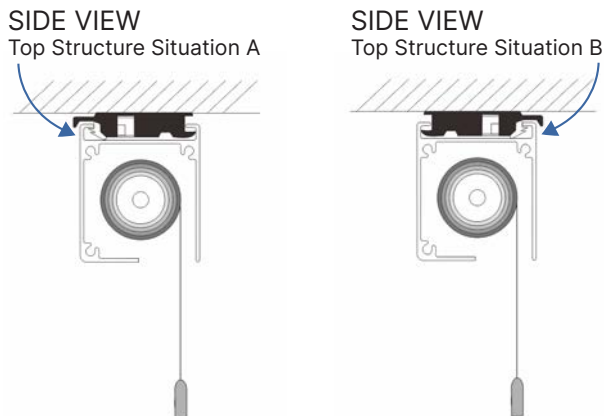
Installation Instructions

3000 Service Case Cassette

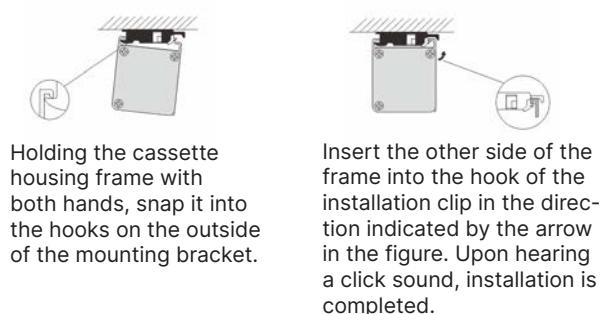
OVERVIEW



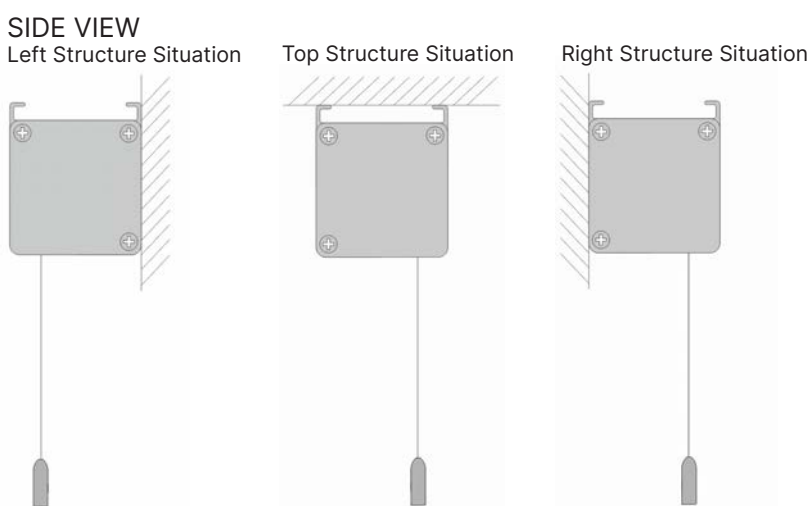
METHOD 1



INSTALLATION
Fix the installation clips with screws at both ends of the product frame 40 to 60mm.



METHOD 2



INSTALLATION
Fix the support in the required position using screws. There are three directions to choose from.

